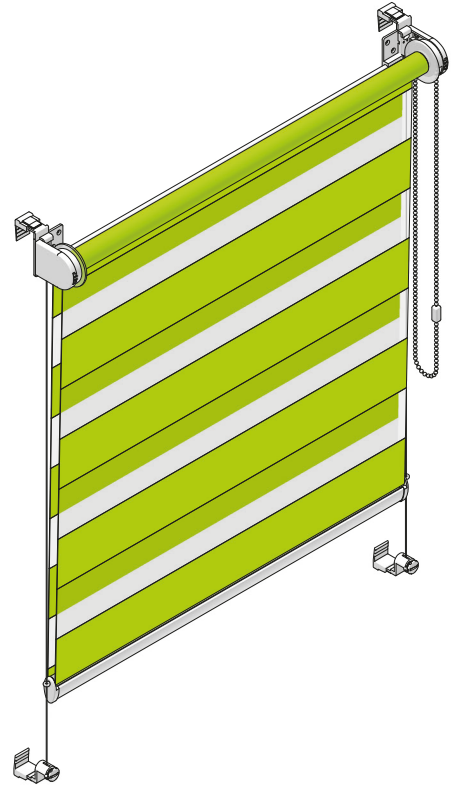
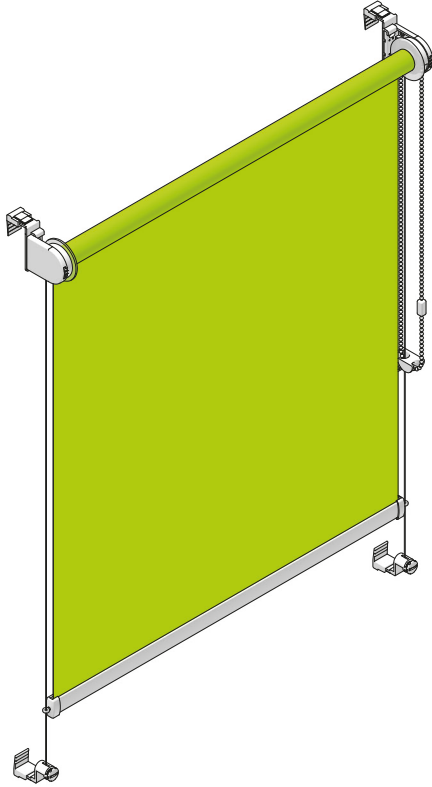


Mini
Roller blind
tube \varnothing 17 mm

Production specification

REALIZATION

The Mini roller blind system is available in two versions:



STANDARD

ALLOWED DIMENSIONS OF THE ROLLER BLINDS

	width cm	height cm	recommended roller blind area
min.	40	50	0,45 m ²
max.*	150	250	3,75 m ²

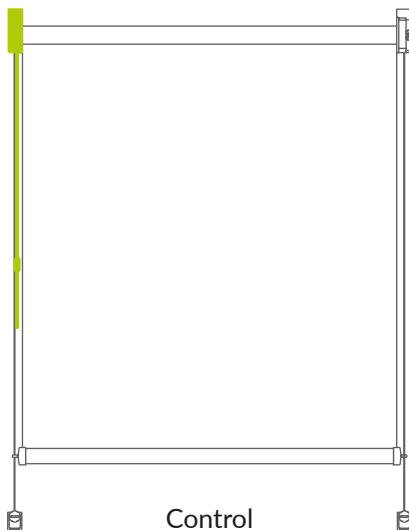
SUNSTRIPE

ALLOWED DIMENSIONS OF THE ROLLER BLINDS

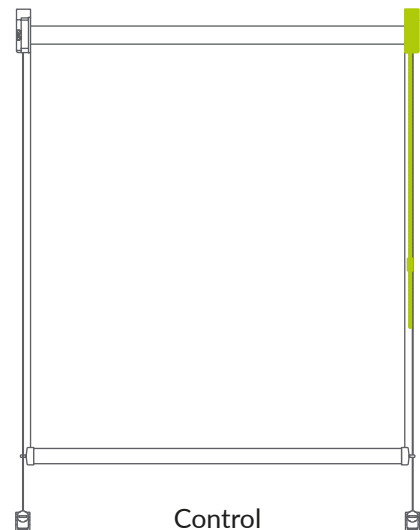
	width cm	height cm	recommended roller blind area
min.	40	50	0,45 m ²
max.*	150	230	3,45 m ²

*) The allowed size of the roller blind may vary depending on the available fabric roller width and and fabric grammage

CONTROL INSTALLATION OPTIONS

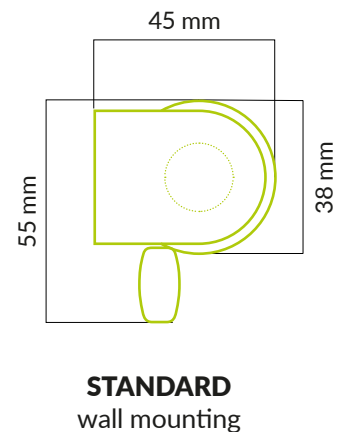
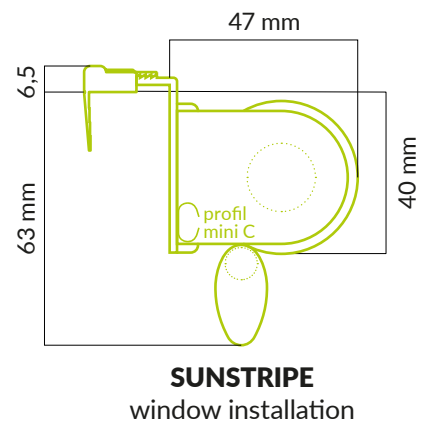
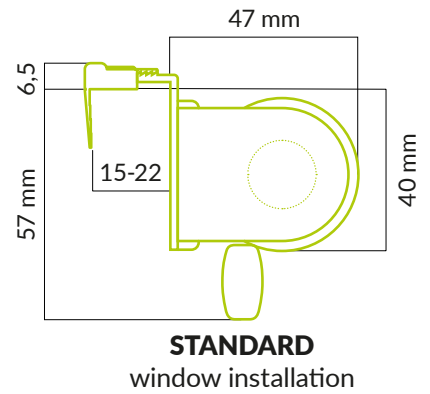
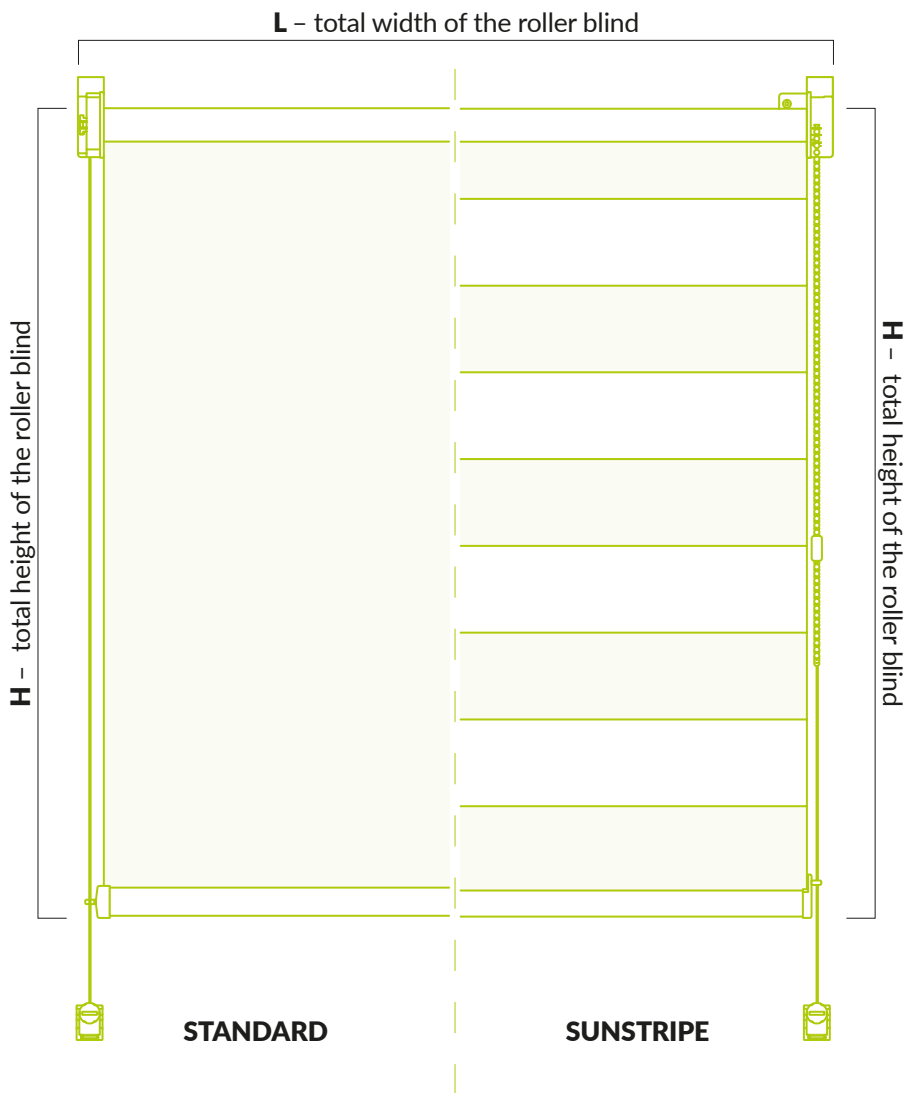


Control
on the left side



Control
on the right side

DIMENSIONS AND REALIZATION



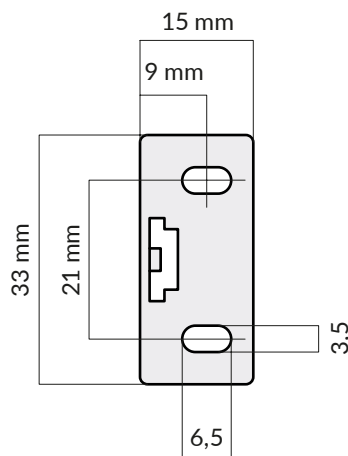
ROLLER BLIND MOUNTING

We install the roller blind of the Mini Sunstripe system to the window frame using dedicated brackets.

In the STANDARD version it is a frame bracket adjustable (28-00061-K***-W0).

In the SUNSTRIPE version it is an adjustable bracket Sunstripe (28-00062-K***-W0)

In the STANDARD version, the roller blind can also be mounted directly to the wall or ceiling.



SHORTENING

	Tube Ø17	profil mini C	Dead weight rail	Weight tube	Fabric	
					width	height
Mini Standard	L -28 mm	L -33 mm	L -29 mm	L -32 mm	L -30 mm	H +100 mm
Mini Sunstripe					L -33 mm	2xH +200 mm

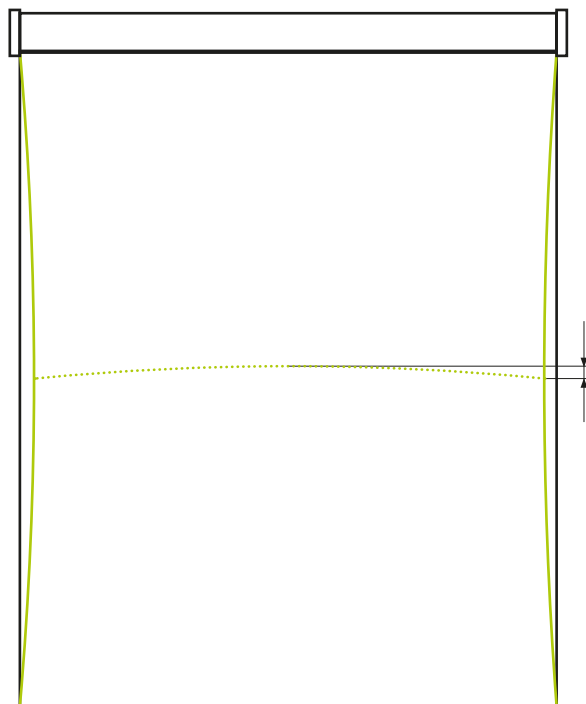
TOLERANCE STANDARDS OF SHAPE AND SIZE OF ROLLER BLINDS

LATERAL CAMBER

the degree of deflection between fabric ends.

Maximum allowable camber

maximum value of camber [mm] ≤ 0.04 of the fabric width



DEVIATION FROM HORIZONTAL / VERTICAL

Allowable deviation

	below 2,5 m	over 2,5 m
Width	5 mm	8 mm
Height	5 mm	8 mm

DIMENSIONAL TOLERANCE

assuming the use of the roller blind in optimal conditions, the dimensional tolerance may change in relation to the height +/- 3% and the width +/- 0.5%.

